

SSA-0401/0501/0601/ Single Output



Applications:

- Net PC
- Notebook
- LCD Monitor
- Tablet PC

Features:

- Desktop Type
- Universal input
- Built-in Class B EMI filter
- Fully regulated output
- Over voltage protection
- Over power protection
- Short circuit protection

General Specifications:

- Input voltage range 90~264 Vac
- Input frequency 47~63Hz
- Efficiency 80~83% typ.
- Leakage current 3.5mA max.

Safety Approvals:

- CB
- CUL
- TUV
- CCC
- PSE
- BSMI

EMI/EMC:

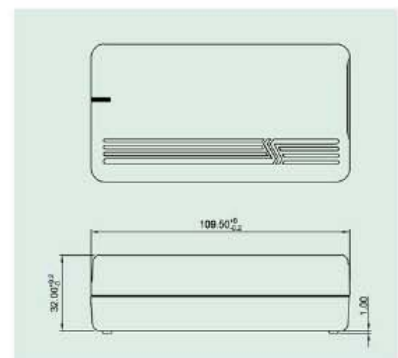
- CE
- FCC

Mechanical Characteristics:

- Length : 109.5mm (4.31")
- Width : 58.0mm (2.29")
- Height : 32.0mm (1.26")

Output Specifications:

Model Number	Output Voltage	Min. Load	Max. Load	Total Power	Efficiency
SSA-0401S-1	12V	0.1A	3.33A	40W	80%
SSA-0501S-1	12V	0.1A	4.17A	50W	80%
SSA-0601S-1	12V	0.1A	5A	60W	80%
SSA-0601S-2	19V	0.1A	3.16A	60W	83%



specification may change without prior notice



Sea Sonic Electronics Co., Ltd.

Head office:
8th Fl., #19 Alley 360, Sec.1, Neihu Road
Neihu Taipei, Taiwan ROC
tel: +886 2 2659 0338
fax: +886 2 2659 0530
sales@seasonic.com.tw

Factories:
I. Tao Yuan, Taiwan
II. Dong Guan, China