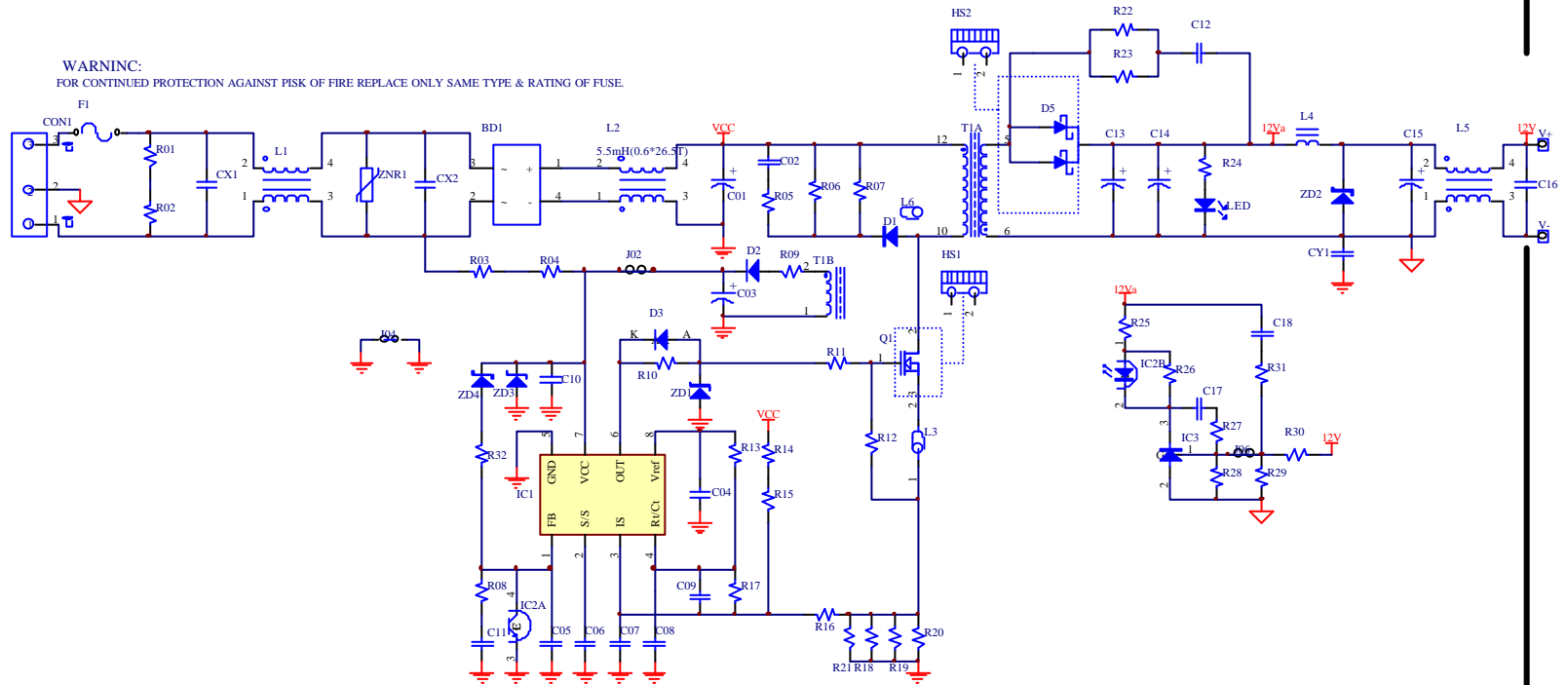


WARNING:
FOR CONTINUED PROTECTION AGAINST PISK OF FIRE REPLACE ONLY SAME TYPE & RATING OF FUSE.



PCB
REV: A2-07
PN: PCTFSA40A2
2003/07/23*7

SEA SONIC SEA SONIC ELECTRONICS CO., LTD.		
Title		
Model No: SSA-040-1		
Size A	Document Number FESAF40	REV: A2-7
Date: 2003/07/23	Sheet	OF