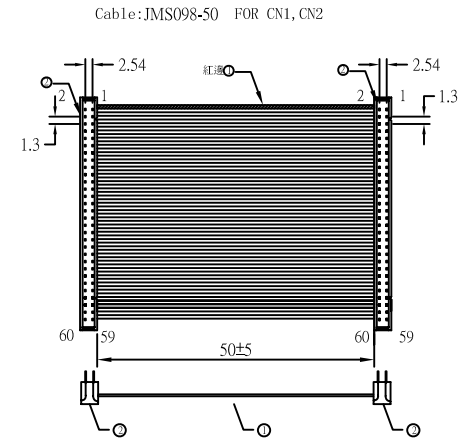
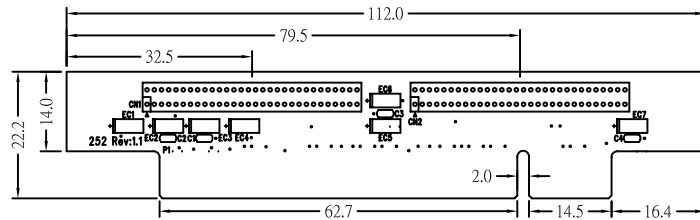
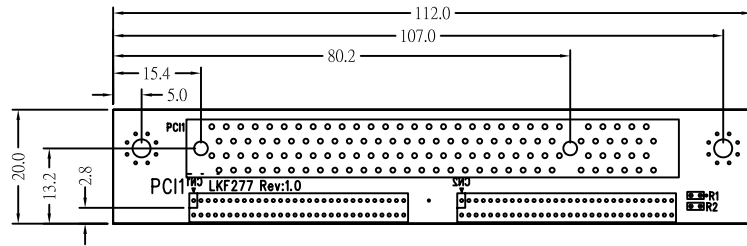

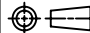


REVISIONS			
REV	DESCRIPTION	DATE	DRAWN BY
		2006/12/28	



 錦茂電子 立科富電子(深圳)有限公司		MTL. SPEC.	UNSPECIFIED TOL'S X.XX ±0.25 XX.XX ±0.5 XXX.XX ±0.5 ANGULAR ±0.1°	MODEL NO: LKF277+252
APPROVED BY	JALI	UNIT mm	TITLE RISER CARD	
CHECKED BY				
CHECKED BY		SCALE ×	DRAWING NO. LKF277+252組合.DWG	REV. A
DRAWN BY	JONSON			SHEET 1/1